

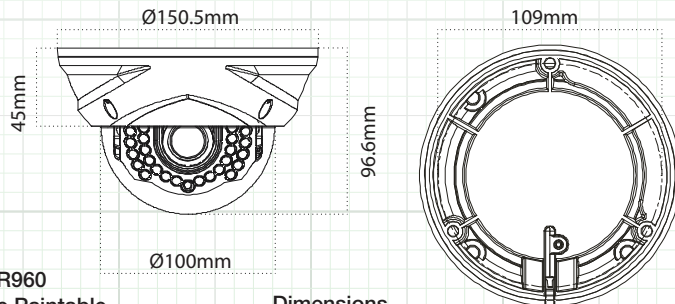
960H/700 Line – True Wide Dynamic Range Outdoor IR Dome Camera, TDN, 3DNR, OSD, 2.8~12mm AI Lens, 82' IR



DTW212HIR960



DTW212HIR960
Shown with White Paintable
Snap-on Cover (included)



SPECIFICATION

DTW212HIR960

| | |
|--------------------------------|--|
| Image Sensor | 960H 1/3" Effio-V Sony Super HAD II CCD |
| Effective Picture Elements | 976 (H) x 494 (V) |
| Resolution | 700 TV Lines Color / 800 TV Lines B/W |
| OSD (On-screen Display) | Yes |
| WDR (Wide Dynamic Range) | Contrast / Clear Face (Low / Mid / High) Adjustable |
| 3DNR (Digital Noise Reduction) | 3DNR (0-6) Adjustable |
| Video Output | 1.0 Vp-p (Sync. Negative) Termination 75 OHM |
| Lens Type – True Day/Night | 2.8~12mm Varifocal Auto Iris Lens |
| Sense-up | Auto / Off |
| Shutter Speed | 1/60 ~ 1/100,000 sec. |
| IR Cut Filter | Built-In Mechanical |
| Minimum Illumination | 0.0005Lux Sense Up Color/0.0002 Sense Up B/W |
| IR LED Count / IR Range / nm | 24 IR LED's / 82' IR Range / 850nm |
| S/N Ratio | 52dB or More (AGC Off) |
| Gain Control | Automatic, Low, Middle, High, Off |
| Sync System | Internal, External (L/L) |
| Gamma | $\gamma = 0.45$ typ. |
| White Balance | ATW (1,800°K~10,500°K) / PUSH / USER1 / USER2 / ANTI CR / PUSH / LOCK / MANUAL |
| Back Light Compensation | OFF / WDR / HLC / BLC |
| Day / Night | (AUTO / COLOR / B/W / EXT) Delay Adjustable |
| Mirror | OFF / H / V / H-V |
| Digital Zoom | Yes (ON / OFF) Adjustable |
| Digital Image Stabilizer | Yes ((ON / OFF) |
| IR Optimizer | Yes (ON / OFF) |
| Motion Detection | Yes (4 Zone) |
| Privacy Mask | Yes (15 Zone) |
| Power Input | 12VDC/24VAC Dual Voltage Power |
| Power Requirement | Max. 600mA |
| Reverse Polarity Protection | Yes |
| Overall Camera Dimensions | 5.9" (W) x 3.8" (H) |
| Weight | Approx. 2.0lb |
| Operation Temperature | -20 ~ 122°F |
| Weatherproof Rating | IP68 |

FEATURES

- ◆ Sony 960H Effio-V Chip
- ◆ 700 Line Resolution
- ◆ True Wide Dynamic Range
- ◆ True Day/Night Mechanical IR Cut Filter
- ◆ Tamper Resistant / IP68 Weatherproof
- ◆ 3-Axis Wall or Ceiling Mountable
- ◆ White Paintable Snap-on Cover Included
- ◆ Sense-up 1024X
- ◆ 12VDC/24VAC Dual Voltage Power
- ◆ OSD Control of All Major Functions
- ◆ Digital Noise Reduction
- ◆ Video Test Output & Cable
- ◆ 24 IR LED's / 82' IR Range
- ◆ Adjustable Shutter Speed
- ◆ 2.8-12mm Varifocal Auto Iris Lens
- ◆ Manual 360° Horizontal Rotation

INCLUDED ACCESSORIES

1. User Manual
1. Mounting Template & Hardware Packet
1. Video Test Cable
1. L-Style Wrench
1. White Paintable Snap-on Cover

RECOMMENDED ACCESSORIES

Outdoor Back Boxes
DTWBB – Silver
DTWBBW – White

Outdoor Wall Mounts
DTWWMT – Silver
DTWWMTW – White



Note: Specification subject to change without notice