

Indoor Dome Camera

www.boschsecurity.com**BOSCH**

Invented for life



Advantage Line

The VDC-250/260 Day/Night camera is a compact, stylish surveillance dome that offers excellent resolution in variable lighting conditions. The high performance 1/3-inch CCD camera is available with a 3.8 mm fixed lens or a 3.8 to 9.5 mm varifocal lens.

The camera is an ideal solution for demanding scene conditions. The Day/Night feature ensures the highest image quality possible at any time. Depending on the available light, the camera automatically switches from color to monochrome. The camera is easy to install and can be adjusted around 3 axes. Privacy zones and motion detection functions can be set up in the handy camera menu system.

Features

- ▶ Excellent resolution (570 TVL sensor resolution)
- ▶ Lens choice
- ▶ Clean images under variable light
- ▶ Day/Night performance with switchable filter
- ▶ Easy install

2 | Indoor Dome Camera

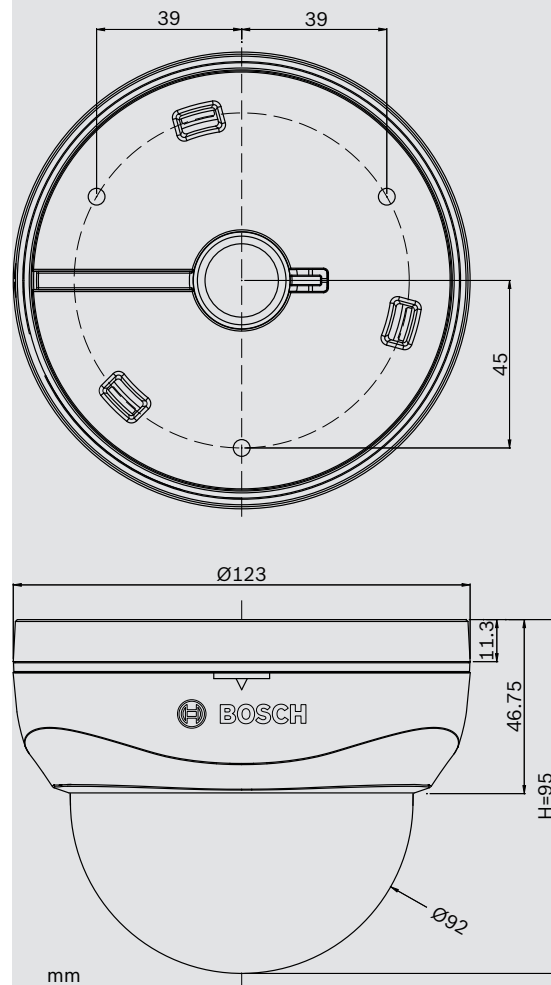
Technical specifications

Technical specifications	
System	PAL or NTSC
Effective pixels (H x V)	752 x 582 (PAL) 768 x 494 (NTSC)
Image Sensor	1/3-inch High sensitivity CCD
Video Output	Composite: 1 Vpp, 75 Ohm
Sync. System	Internal sync., Line-lock
S/N Ratio	50 dB min.
(sharpness, AGC off)	
Horizontal resolution	570 TVL Sensor Resolution
Minimum Illumination	0.05 lx (color)
Varifocal lens (F1.4, 30IRE, AGC max.)	0.005 lx (ICR, B/W)
Minimum Illumination	0.15 lx (color)
Fixed lens (F2.0, 30IRE, AGC max.)	0.05 lx (ICR, B/W)
ESC	1/50 – 1/120,000 (PAL) 1/60 – 1/120,000 (NTSC)
Manual Shutter	1/50(60), 1/100(120), 1/250, 1/500, 1/700, 1/1k, 1/1.6K, 1/2.5K, 1/5K, 1/7K, 1/10K, 1/30K, 1/60K, 1/120K
DNR	Off, Low, Middle, High
White Balance	ATW, Manual, Push
SBLC	Off, Low, Middle, High
AGC	On, Off
Day/Night	Auto, Color, B/W, Ext.
Burst	On, Off
Motion detection	On, Off (4 programmable zones)
Privacy	On, Off (4 programmable zones)
Mirror	On (horizontal), Off
Sharpness	1 - 20
Gamma	0.35, 0.45, 0.6, 0.75
OSD language	English, Chinese
Lens type	DC iris / manual lens
Supply Voltage	24 VAC (±10%) 12 VDC (±10%)
Power Consumption	3.6 W max. / 0.3 A
Operating Temperature	-10 °C to +50 °C (14 °F to +122 °F)
Operating Humidity	30% to 80% RH
Storage Temperature	-20 °C to +60 °C (-4 °F to +140 °F)
Storage Humidity	20% to 90% RH

Certifications and approvals

Region	Certification
Europe	CE
Standards	
	ANSI C63.4: 2003
	FCC Part 15 subpart B, Class A Digital Devices
	UL 60065, 7th Edition, 2007-12-11
	CAN/CSA-C22.2 No. 60065-03, 1st Edition, 2006-04 + A1:2006
	EN55022:2006, Class A
	EN50130-4:1995+A1:1998+A2:2003
	LVD 2006/95/EC
	EN60950-1:2006+A11:2009
	IEC 60950-1:2005 (2nd Edition)

Installation/configuration notes



Ordering information

VDC-250F04-10 Dome Camera, 3.8mm lens, PAL	VDC-250F04-10
VDC-250F04-20 Dome Camera, 3.8mm lens, NTSC	VDC-250F04-20
VDC-260V04-10 Dome Camera, 3.8-9.5 mm lens, PAL	VDC-260V04-10
VDC-260V04-20 Dome Camera, 3.8-9.5 mm lens, NTSC	VDC-260V04-20

Represented by:

Americas:

Bosch Security Systems, Inc.
130 Perinton Parkway
Fairport, New York, 14450, USA
Phone: +1 800 289 0096
Fax: +1 585 223 9180
security.sales@us.bosch.com
www.boschsecurity.us

Europe, Middle East, Africa:

Bosch Security Systems B.V.
P.O. Box 80002
5617 BA Eindhoven, The Netherlands
Phone: +31 40 2577 284
Fax: +31 40 2577 330
emea.securitysystems@bosch.com
www.boschsecurity.com

Asia-Pacific:

Robert Bosch (SEA) Pte Ltd, Security Systems
11 Bishan Street 21
Singapore 573943
Phone: +65 6571 2808
Fax: +65 6571 2699
apr.securitysystems@bosch.com
www.boschsecurity.asia

China:

Bosch (Shanghai) Security Systems Ltd.
201 Building, No. 333 Fuquan Road
North IBP
Changning District, Shanghai
200335 China
Phone: +86 21 22181111
Fax: +86 21 22182398
www.boschsecurity.com.cn

America Latina:

Robert Bosch Ltda Security Systems Division
Via Anhanguera, Km 98
CEP 13065-900
Campinas, Sao Paulo, Brazil
Phone: +55 19 2103 2860
Fax: +55 19 2103 2862
latam.boschsecurity@bosch.com
www.boschsecurity.com